

Juniper

JN0-663 Exam

**Juniper Service Provider Routing and Switching, Professional
(JNCIP-SP) Exam**

**Questions & Answers
(Demo Version – Limited Content)**

Thank you for Downloading JN0-663 exam PDF Demo

Version: 5.0

Question: 1

Exhibit:

The exhibit shows a network diagram and terminal outputs for two routers, R2 and R1, connected via their ge-0/0/0 and ge-0/0/1 interfaces.

R2 Configuration:

```

user@R2# show interfaces
ge-0/0/0 {
  unit 0 {
    family iso;
    family inet6 {
      address 2001:db8::2/64;
    }
  }
}
ge-0/0/1 {
  unit 0 {
    family inet {
      address 172.16.2.2/24;
    }
    family iso;
    family inet6 {
      address 2001:db8:1::2/64;
    }
  }
}
user@R2# show protocols isis
interface ge-0/0/0.0;
interface ge-0/0/1.0;
interface lo0.0 {
  passive;
}
topologies ipv6-unicast;
  
```

R1 Configuration:

```

user@R1# show interfaces
ge-0/0/0 {
  unit 0 {
    family iso;
    family inet6 {
      address 2001:db8::1/64;
    }
  }
}
ge-0/0/1 {
  unit 0 {
    family iso;
    family inet6 {
      address 2001:db8:1::1/64;
    }
  }
}
user@R1# show protocols isis
interface ge-0/0/0.0;
interface ge-0/0/1.0;
interface lo0.0 {
  passive;
}
topologies ipv6-unicast;
  
```

A network administrator is migrating from IPv4 to IPv6 and one of the IS-IS adjacencies is not coming up between R1 and R2.

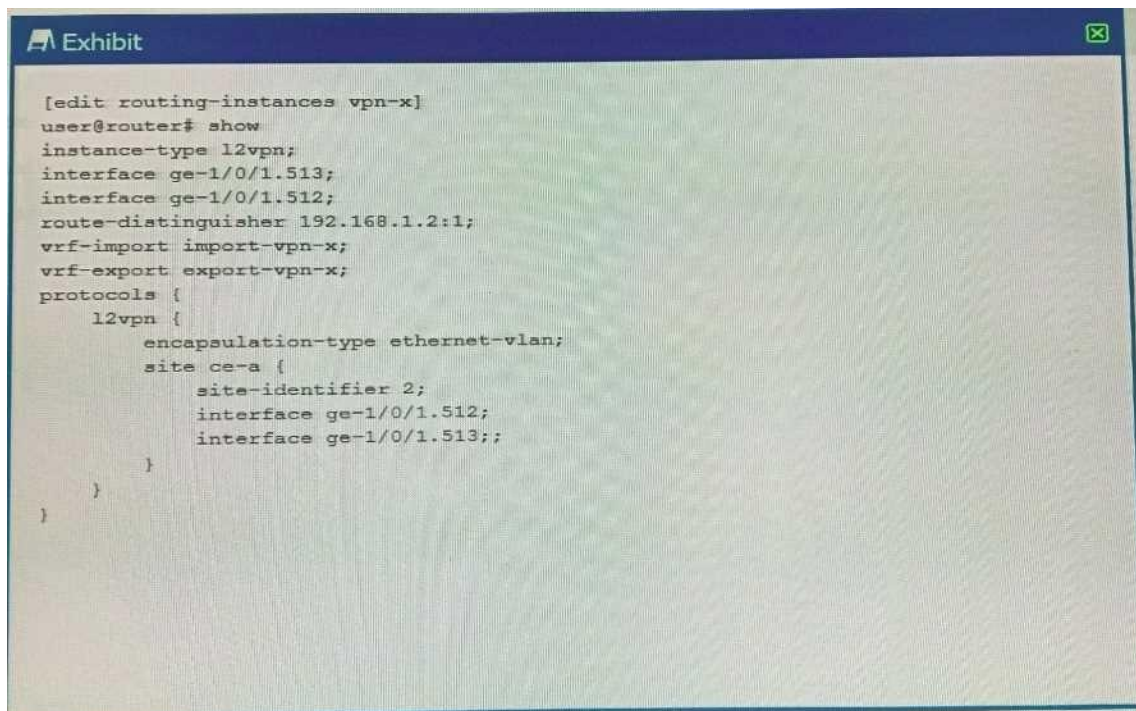
Which action will solve the problem?

- A. Configure an IPv4 address on interface ge-0/0/1 on R1.
- B. Configure topologies ipv4-unicast from protocols isis on R2.
- C. Remove topologies ipv6-unicast from protocols isis on R1.
- D. Remove topologies ipv6-unicast from protocols isis on R2.

Answer: A

Question: 2

Exhibit:



```
[edit routing-instances vpn-x]
user@router# show
instance-type l2vpn;
interface ge-1/0/1.513;
interface ge-1/0/1.512;
route-distinguisher 192.168.1.2:1;
vrf-import import-vpn-x;
vrf-export export-vpn-x;
protocols {
  l2vpn {
    encapsulation-type ethernet-vlan;
    site ce-a {
      site-identifier 2;
      interface ge-1/0/1.512;
      interface ge-1/0/1.513;;
    }
  }
}
```

You have the Layer 2 VPN configuration shown in the exhibit. You are asked to determine the remote site ID for ge-1/0/1.512.

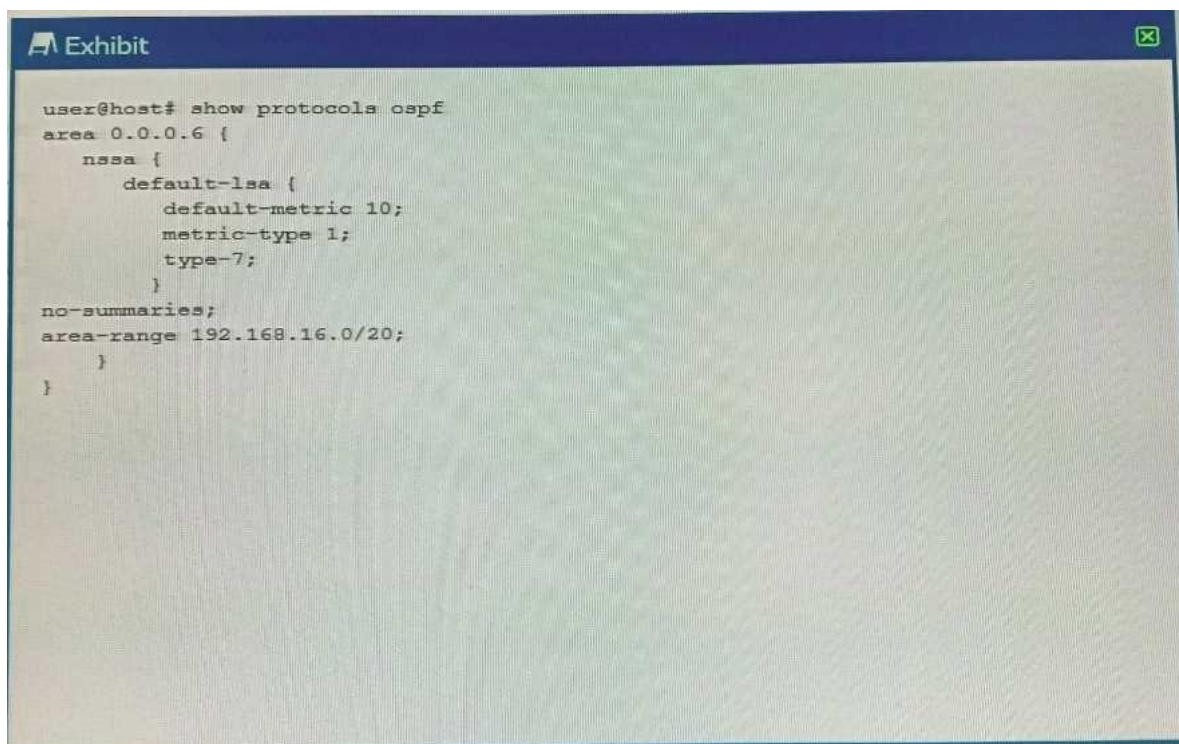
In this scenario, what is the remote site ID?

- A. 5
- B. 3
- C. 1
- D. 4

Answer: C

Question: 3

Exhibit:



```
user@host# show protocols ospf
area 0.0.0.6 {
  nssa {
    default-lsa {
      default-metric 10;
      metric-type 1;
      type-7;
    }
  }
  no-summaries;
  area-range 192.168.16.0/20;
}
}
```

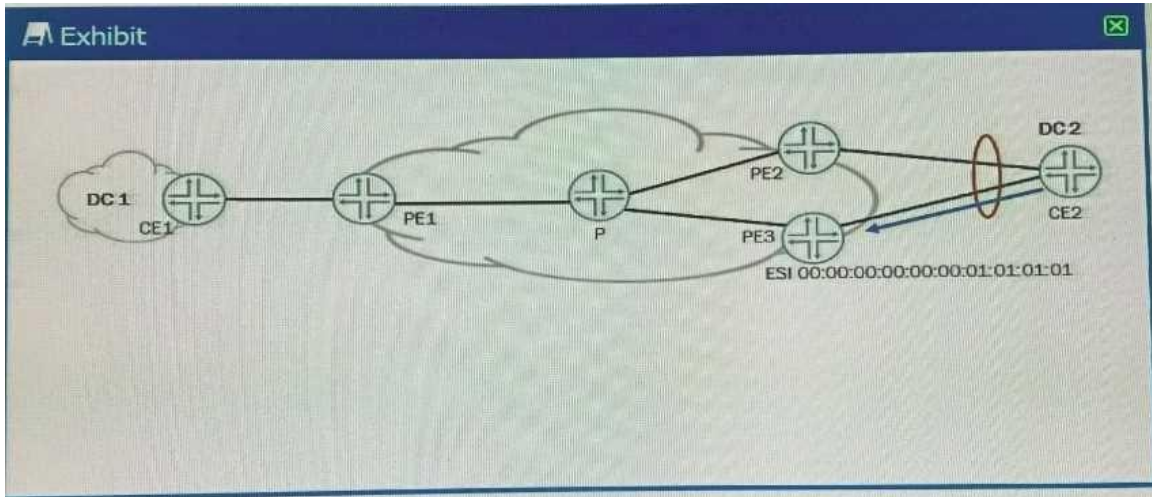
Referring to the ABR configuration shown in the exhibit, which three statements are correct? (Choose three.)

- A. The ABR advertises a default route to the NSSA using a Type 7 LSA.
- B. The ABR advertises a single Type 5 external LSA to the backbone area for all Type 7 LSAs in the NSSA.
- C. The ABR does not summarize any routes within the 192.168.16.0/20 range.
- D. The ABR advertises a Type 5 external LSA to the backbone area for each Type 7 LSA in the NSSA.
- E. The ABR advertises a single Type 3 summary LSA to the backbone area for all Type 1 and Type 2 LSAs in the 192.168.16.0/20 range.

Answer: A, D, E

Question: 4

Exhibit:



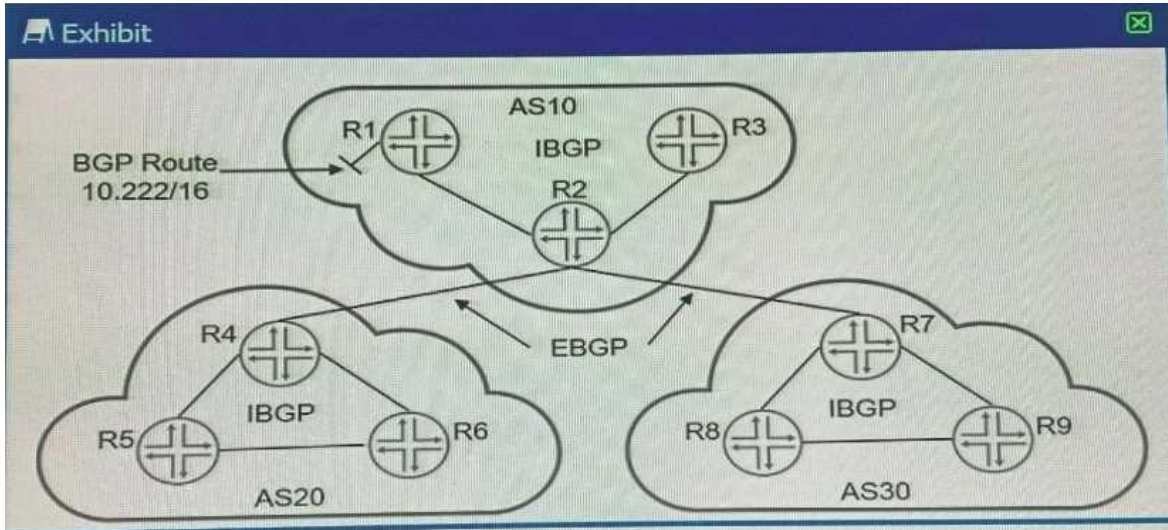
Referring to the exhibit, traffic sent from CE-A2 to PE3 does not loop back to CE-A2 through PE2. Which two EVPN functions accomplish this task? (Choose two.)

- A. split horizon
- B. aliasing
- C. multicast ingress replication
- D. designated forwarder election

Answer: A, D

Question: 5

Exhibit:



Referring to the exhibit, which three statements about route 10.222/16 are correct when using the default BGP advertisement rules? (Choose three)

- A. R2 will advertise 10.222/16 to R4 with itself as the next hop.
- B. R2 will prepend AS10 when advertising 10.222/16 to R7.
- C. R7 will advertise 10.222/16 to R9 with itself as the next hop.

- D. R1 will advertise 10.222/16 to R2 with itself as the next hop.
- E. R1 will prepend AS10 when advertising 10.222/16 to R2.

Answer: A, B, D

Thank You for trying JN0-663 PDF Demo

Start Your JN0-663 Preparation

[Limited Time Offer] Use Coupon “**dumps20**” for extra 20% discount on the purchase of PDF. Test your JN0-663 preparation with actual exam questions.